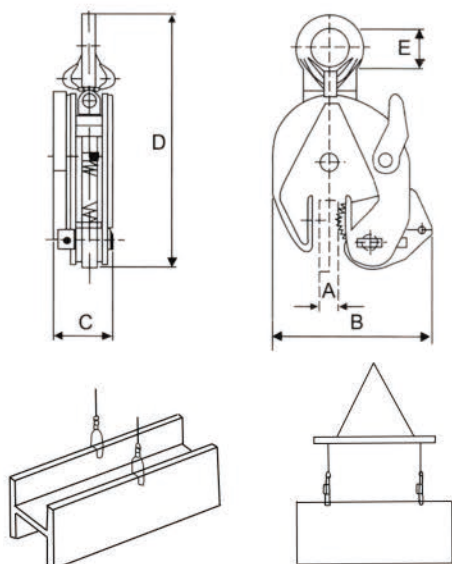


## JTLC-B Vertical Lifting Clamp

### Product introduction

- Suitable for lifting steel plates and structure steels in vertical position.
- It is manufactured by low-carbon high-quality alloy steel forging.
- Always must be used in pairs.
- Each plate grip is subject to test load at 2X rated load capacity.
- Don't overload to use.
- Please read owner's manual before using the clamp.



### Specifications

Model	Rated Capacity(t)	Test Load (t)	Jaw opening (mm)	N.W (Kg)
0.75T	0.75	1.5	0-15	2
1T	1	2	0-20	4.6
2T	2	4	0-30	8
3T	3	6	0-25	15
5T	4	8	0-30	20.4
8T	8	16	0-45	34