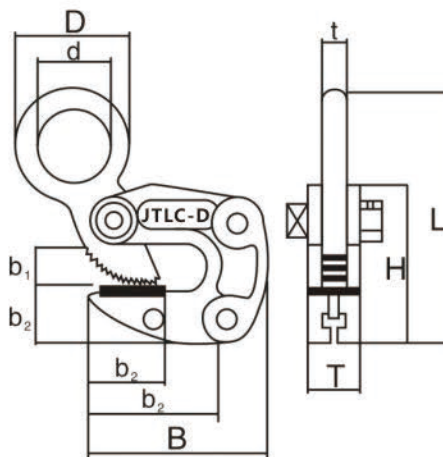
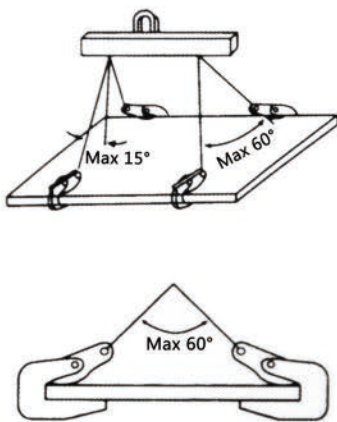


JTLC-D Horizontal Lifting Clamp



Product introduction

- Suitable for lifting structure steels in horizontal position and tuning off of structure steels.
- For hoisting steel plates up to hardness 37RC(345HB).
- It is manufactured by low-carbon hi-quality alloy steel forging.
- The rated load refers to the clamp be used in pairs, to lift an included angle is when 60 degrees permits the hoisting up the maximum weight.
- Always must be used in pairs.
- To lift long structure steels must be lifting with a balance.
- Rated load capacity and size of jaw opening are clearly shown on lifting clamps.
- Each plate grip is subject to test load at 2X rated load capacity.
- Don't overload to use.
- Please read owner's manual before using the clamp.



Specifications

Model	Rated Capacity(t)	Test Load (t)	Jaw opening (mm)	N.W (Kg)
1T	1	2	1-13	2.1
2T	2	4	3-22	4.7
3T	3	6	12-35	8.4