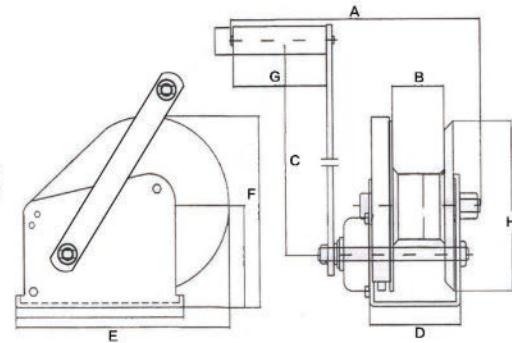


JTHW-A Hand Winch



Specifications

Model	Rated capacity (lbs)	Test load (KN)	Single speed/double speed	Transmission ratio	Hand operated strength (N)	Dimensions(mm)										Net weight (no wire rope) (kg)
						A	B	C	D	E	F	G	H	J	R	
JTHW-A6	600	4.1	Single	2.9:1	70	Φ21	Φ116	51	119	Φ25	228	91	138	165	180	2.4
JTHW-A8	800	5.4	Single	3.7:1	75	Φ21	Φ116	51	119	Φ25	228	91	138	156	180	2.5
JTHW-A10	1000	6.8	Single	4.2:1	85	Φ21	Φ135	51	119	Φ25	228	91	156	184	180	2.8
JTHW-A12	1200	8.2	Single	4.2:1	100	Φ21	Φ135	51	119	Φ25	228	91	156	184	180	2.8
JTHW-A14	1400	9.5	Single	4.2:1	120	Φ21	Φ135	51	119	Φ25	228	91	156	184	180	2.8
JTHW-A20	2000	13.6	Double	10.35:14.5:1	150	Φ27	Φ150	65	174	Φ25	281	91	182	250	251	5.9
JTHW-A25	2500	17	Double	11.5:15:1	160	Φ27	Φ165	65	174	Φ25	281	91	191	256	251	6.4