

JTML-C Powerful Permanent Magnetic Lifter

Product introduction

- Double magnetic circuit lifters.
- Strong magnetic path by NdFeb magnetic materials.
- Higher magnetism, less weight.
- Less remaining magnetism when being off.
- New designed handle enable its damper strength lower.
- Suitable for thin magnetic-inductive material with thickness over 5mm.

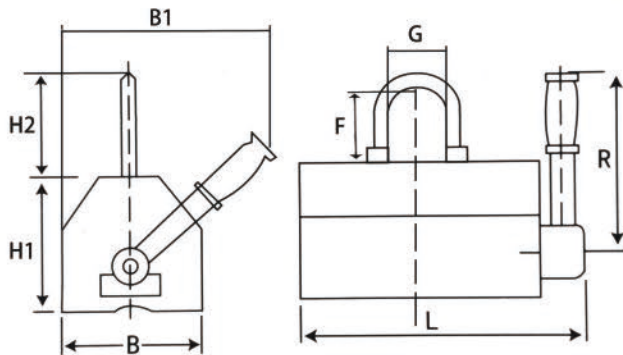


Figure 1 JTML-C300

Specifications

Model	Rated Lifting Strength	Cylindrical Lifting Strength	L	B	H1	H2	B1	F	G	Net Weight
	kgf	kgf								(Kg)
JTML-C300	300	150	205	90	95	70	230	46	36	12
JTML-C600	600	300	276	115	107	80	290	55	45	20
JTML-C1000	1000	500	310	150	140	95	360	60	50	46
JTML-C1500	1500	700	380	166	158	115	450	65	55	72
JTML-C2000	2000	1000	425	175	170	115	460	65	55	100