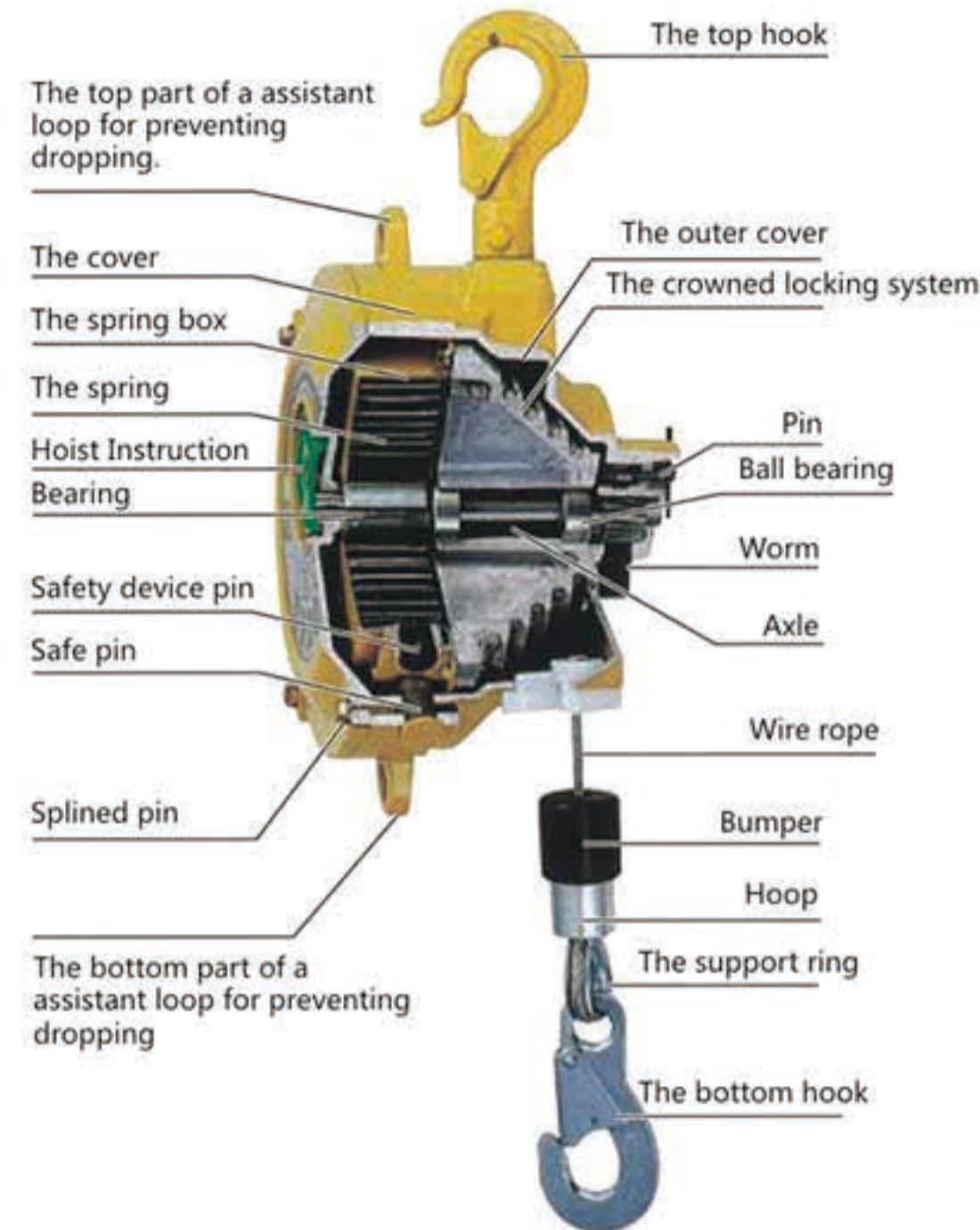


Spring Balancer Series



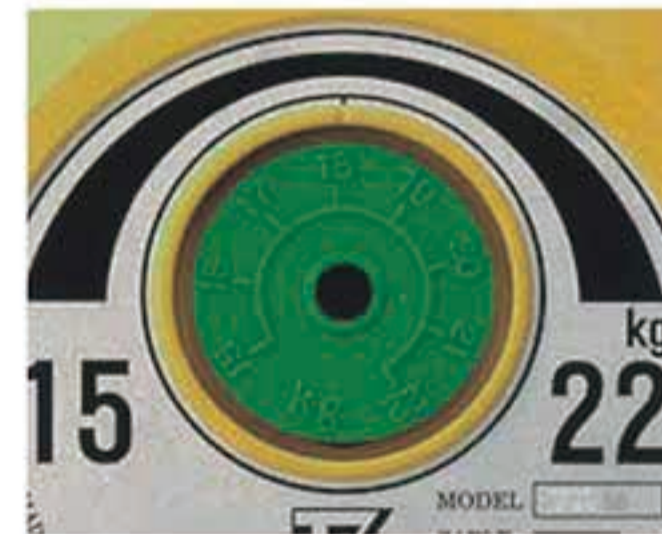
The device for preventing dropping.

It prevents tools dropping for the spring break.



A assistant loop for preventing dropping.

Each item possesses its own assistant loop.



Hoist instruction

It helps to adjust the elastic force for the operator's reference.



The crowned locking system

It applies to fix the instrument and change wire rope.



Box-packed spring

It's easier and safer to change the spring.



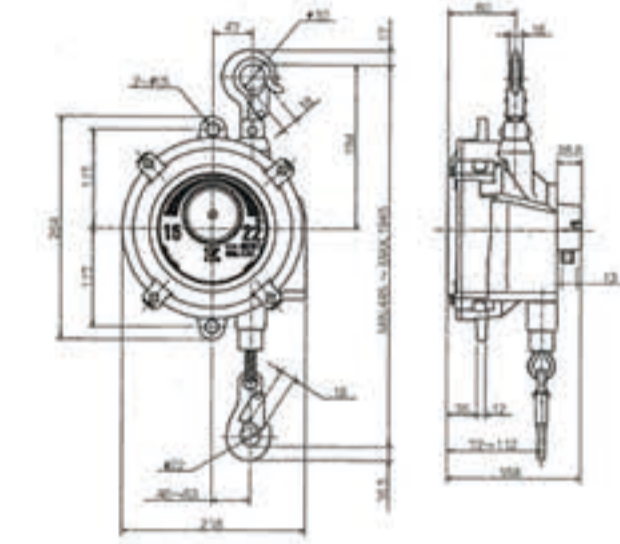
To change the wire rope

The plugin system is simple for us to change the wire rope.

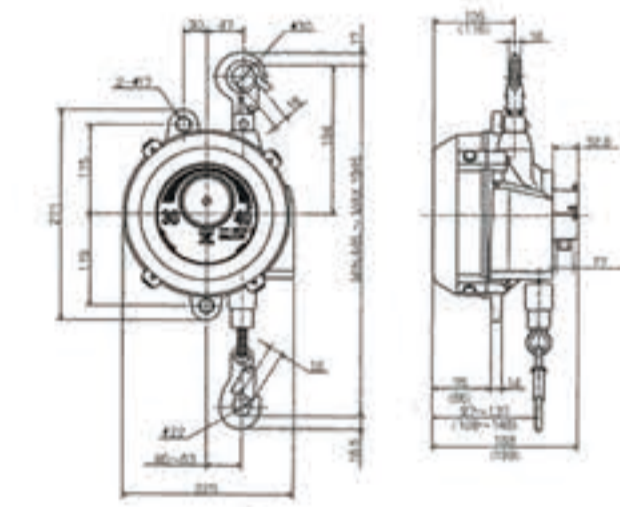
Spring Balancer Series

- The Lifting instruction
- The plug-in type cable
- The spring box
- The Cydariform locking device
- The Ratchet device
- The device for preventing dropping.
- The Springback protection
- The manual spring-loaded governor
- The Cover
- The worm gear spring-loaded governor
- The ratchet system spring-load governor
- CE Certificate

JTPH-A-22.30



JTPH-A-40.50.60.70



Model	Capacity (kg)	Trave (m)	Cable (Φmm)	N.W (kg)	piece/canton	The inside box's size (mm)	The outer canton's size (mm)
JTPH-A-3	1-3	1.5	3.2	1.5	5	220*180*75	405*235*205
JTPH-A-5	3-5	1.5	3.2	1.5	5	220*180*75	405*235*205
JTPH-A-9	5-9	1.5	4.2	4.5	4	245*235*180	510*258*395
JTPH-A-15	9-15	1.5	4.2	4.5	4	245*235*180	510*258*395
JTPH-A-22	15-22	1.5	5.2	8.5	1	/	388*310*232
JTPH-A-30	22-30	1.5	5.2	9	1	/	388*310*232
JTPH-A-40	30-40	1.5	5.2	11.5	1	/	388*310*232
JTPH-A-50	40-50	1.5	5.2	12	1	/	388*310*232
JTPH-A-60	50-60	1.5	5.2	12	1	/	388*310*232
JTPH-A-70	60-70	1.5	5.2	13.5	1	/	388*310*232
JTPH-A-80	70-80	1.5	5.2	13.5	1	/	388*310*232
JTPH-A-100	80-100	1.5	5.2	20.5	1	/	388*310*232
JTPH-A-120	100-120	1.5	5.2	21	1	/	388*310*232
JTPH-A-140	120-140	1.5	5.2	21	1	/	388*310*232
JTPH-A-160	140-160	1.5	5.2	22	1	/	388*310*232
JTPH-A-180	160-180	1.5	5.2	24	1	/	388*310*232
JTPH-A-200	180-200	1.5	5.2	26	1	/	388*310*232