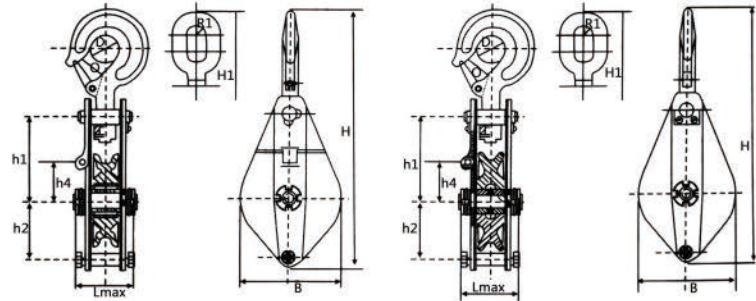


JTPB-F1 Single Open Hook (Chain Link) Pulley



Specifications

Model	Capacity (t)	Test Load (KN)	Boundary Dimension					Wire Rope Diameter		The Dimension of Hook Mouth and Ring Cavity				Net Weight (kg)
			H	H1	B	Lmax	Φ	Suitability	Max.	D	O	R1	R	
			(mm)							(mm)				
JTPB-F1GAK1-0.32	0.32	5.12	230	200	90	56.5	-	-	-	28	>=20	10	-	1.78
JTPB-F1LZK1-0.32	0.32	5.12	230	200	90	56.5	-	-	-	28	>=20	10	-	1.64
JTPB-F1GZK-0.32	0.32	5.12	230	200	90	56.5	-	-	-	28	>=20	10	-	1.33
JTPB-F1LZK1-0.32	0.32	5.12	230	200	90	56.5	-	-	-	28	>=20	-	-	1.99
JTPB-F1GZK1-0.5	0.5	8	260	230	98	61.5	-	6.2	7.7	31.5	>=22	11	-	1.83
JTPB-F1LZK1-0.5	0.5	8	260	230	98	61.5	-	6.2	7.7	31.5	>=22	-	-	1.8
JTPB-F1GK1-0.5	0.5	8	260	230	98	61.5	-	6.2	7.7	31.5	>=22	11	-	1.67
JTPB-F1LK1-0.5	0.5	8	260	230	98	61.5	-	6.2	7.7	31.5	>=22	-	-	1.8
JTPB-F1GZK1-1	1	16	310	285	116	70.5	-	7.7	11	37.5	>=27	14	-	4.4
JTPB-F1LZK1-1	1	16	310	285	116	70.5	-	7.7	11	37.5	>=27	-	-	4.03
JTPB-F1GK1-1	1	16	310	285	116	70.5	-	7.7	11	37.5	>=27	14	-	3.6
JTPB-F1LK1-1	1	16	310	285	116	70.5	-	7.7	11	37.5	>=27	-	-	3.23
JTPB-F1GZK1-2	2	32	405	370	152	88	-	11	14	45	>=32	19	-	7.98
JTPB-F1LZK1-2	2	32	405	370	152	88	-	11	14	45	>=32	19	-	7.4
JTPB-F1GK1-2	2	32	405	370	152	88	-	11	14	45	>=32	19	-	7.41
JTPB-F1LK1-2	2	32	405	370	152	88	-	11	14	45	>=32	-	-	6.8
JTPB-F1GZK1-3.2	3.2	51.2	470	440	176	101	-	12.5	15.5	50	>=37	21	-	12.91
JTPB-F1LZK1-3.2	3.2	51.2	470	440	176	101	-	12.5	15.5	50	>=37	-	-	12.16
JTPB-F1GK1-3.2	3.2	51.2	470	440	176	101	-	12.5	15.5	50	>=37	21	-	12.22
JTPB-F1LK1-3.2	3.2	51.2	470	440	176	101	-	12.5	15.5	50	>=37	-	-	11.48
JTPB-F1GZK1-5	5	80	570	540	212	117	-	15.5	18.5	60	>=42	26.5	-	23.79
JTPB-F1LZK1-5	5	80	570	540	212	117	-	15.5	18.5	60	>=42	-	-	22.82
JTPB-F1GK1-5	5	80	570	540	212	117	-	15.5	18.5	60	>=42	26.5	-	19.85
JTPB-F1LK1-5	5	80	570	540	212	117	-	15.5	18.5	60	>=42	-	-	18.88
JTPB-F1GZK1-8	8	128	730	685	280	141	-	23	23	75	>=56	33.5	-	41
JTPB-F1LZK1-8	8	128	730	685	280	141	-	23	23	75	>=56	-	-	38.93
JTPB-F1GK1-8	8	128	730	685	280	141	-	23	23	75	>=56	33.5	-	36.4
JTPB-F1LK1-8	8	128	730	685	280	141	-	23	23	75	>=56	-	-	34.33
JTPB-F1GZK1-10	10	160	810	775	316	159	-	24.5	24.5	85	>=61	37.5	-	62.98
JTPB-F1LZK1-10	10	160	810	775	316	159	-	24.5	24.5	85	>=61	-	-	60.92
JTPB-F1GK1-10	10	160	810	775	316	159	-	24.5	24.5	85	>=61	37.5	-	54.1
JTPB-F1LK1-10	10	160	810	775	316	159	-	24.5	24.5	85	>=61	-	-	52.04
JTPB-F1GK1-16	16	224	1010	960	406	185	-	28	31	106	>=81	50	-	113.5
JTPB-F1LK1-16	16	224	1010	960	406	185	-	28	31	106	>=81	-	-	107.16
JTPB-F1GK1-20	20	280	1150	1065	452	193	-	31	35	118	>=90	52.5	-	162.2
JTPB-F1LK1-20	20	280	1150	1065	452	193	-	31	35	118	>=90	-	-	152.15
JTPB-F1GK1-32	32	512	1480	1400	580	240	-	35	38	140	>=106	-	-	300
JTPB-F1LK1-32	32	512	1480	1400	580	240	-	35	38	140	>=106	-	-	290